



QSA-535
**HEIGHT ADJUSTABLE SWIVEL CHAIR W/
ARMRESTS**

Instruction Manual



ENCOMPASS
International

ENCOMPASSINTL.COM

Instruction and Safety Manual

WARNING

For your safety, be sure to read all instructions and warnings carefully.

GENERAL GUIDELINES FOR YOUR CHAIR

Avoid leaving chair outdoors for any extended period of time. Prolonged exposure to sunlight may cause fabric to fade.

Never allow children to play with this product without adult supervision.

Never allow anyone to use lighted candles, matches or other sources of fire near this product.

Check to make sure you have all the required parts and hardware. If you find damaged or missing parts in a newly purchased product, please return this product to the retailer for replacement.

MAXIMUM LOAD CAPACITY - 300 LBS/136 KG

Keep these instructions for future reference.

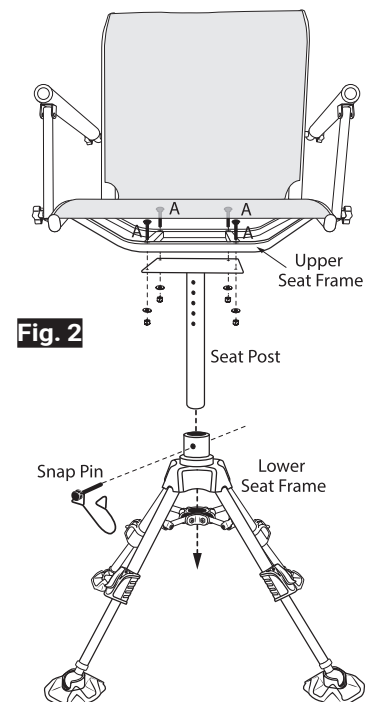
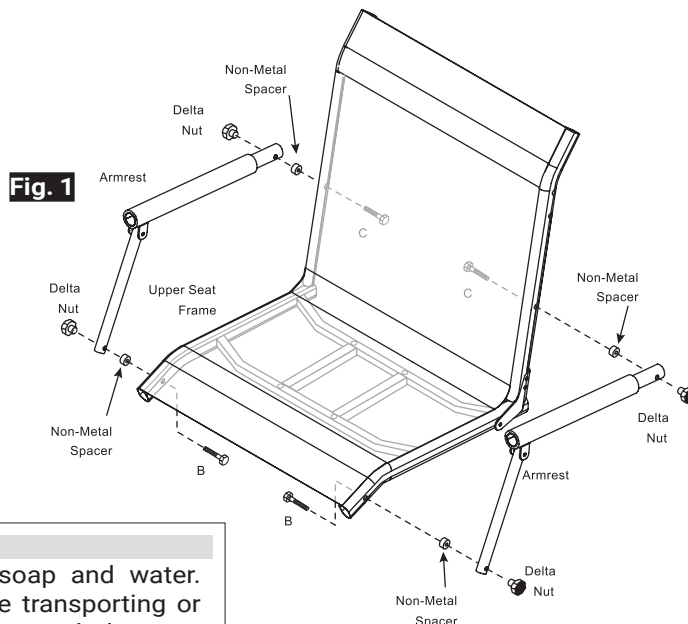
(QSA-535)

Package Contents

PART	DESC	QTY
<input type="checkbox"/>	UP535-0100 Armrest	2
<input type="checkbox"/>	UP535-0131 Upper Seat Frame	1
<input type="checkbox"/>	UP535-0006 Seat Post	1
<input type="checkbox"/>	UP535-0130 Lower Seat Frame	1
<input type="checkbox"/>	UP535-0162 [A] 1/4"x1" Carriage Bolt	4
<input type="checkbox"/>	UP535-0119 [B] 1/4"x2 1/4" Carriage Bolt	2
<input type="checkbox"/>	UP535-0119 [C] 1/4"x2 1/4" Carriage Bolt	2
<input type="checkbox"/>	UP535-0005 Steel Washer	4
<input type="checkbox"/>	UP535-0085 Non-Metal Spacer	4
<input type="checkbox"/>	UP535-0065 Snap Pin	1
<input type="checkbox"/>	UP535-0067 Delta Nut	4
<input type="checkbox"/>	UP535-0001 1/4"Nylock Nut	8

STEP 1. Using (2) 1/4" x 2 1/4" carriage bolts [B], (2) 1/4"x 2 1/2" carriage bolts [C], (4) non-metal spacers and (4) delta nuts attach the armrests to the upper seat frame. (Fig. 1)

STEP 2. Attach the seat post to the upper seatframe using (4) 1/4" x 1" carriage bolts [A], (4) steel washers and (4) nylock nuts. Secure the seat post to the lower seat frame using snap pin. (Fig. 2)



Care instructions:

Spot clean with mild soap and water. Ensure chair is dry before transporting or storing to prevent mildew and damage. Store in cool, dry place out of direct sunlight.